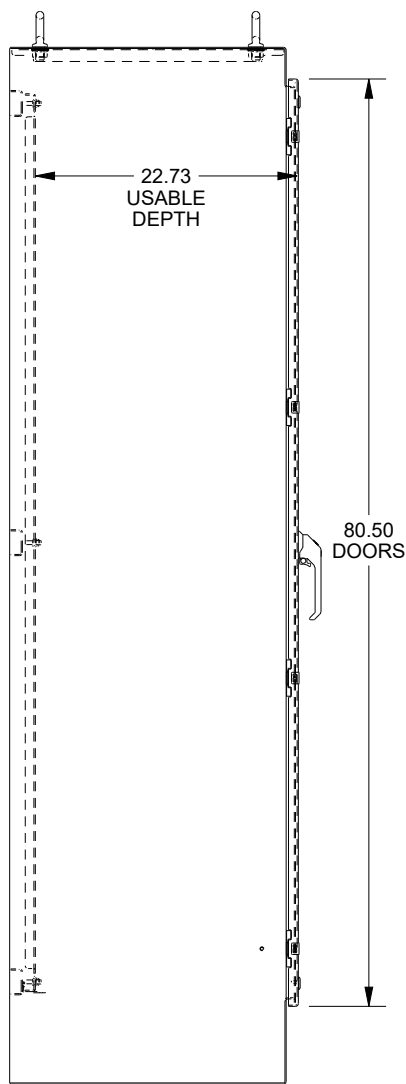
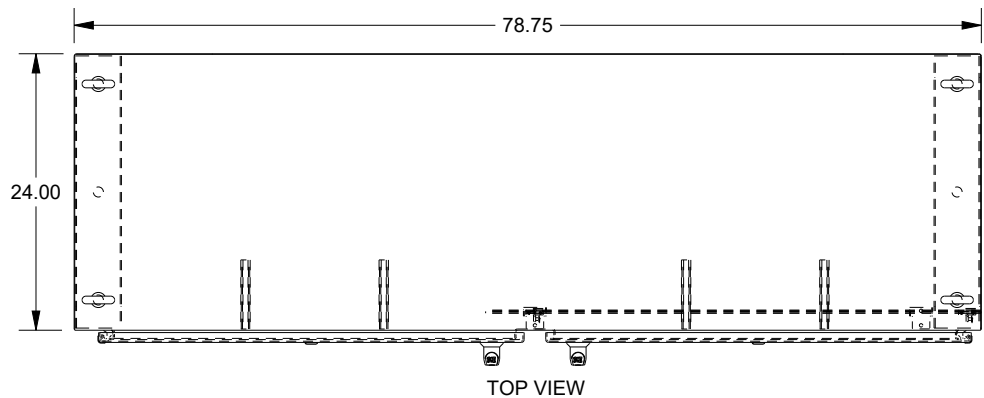
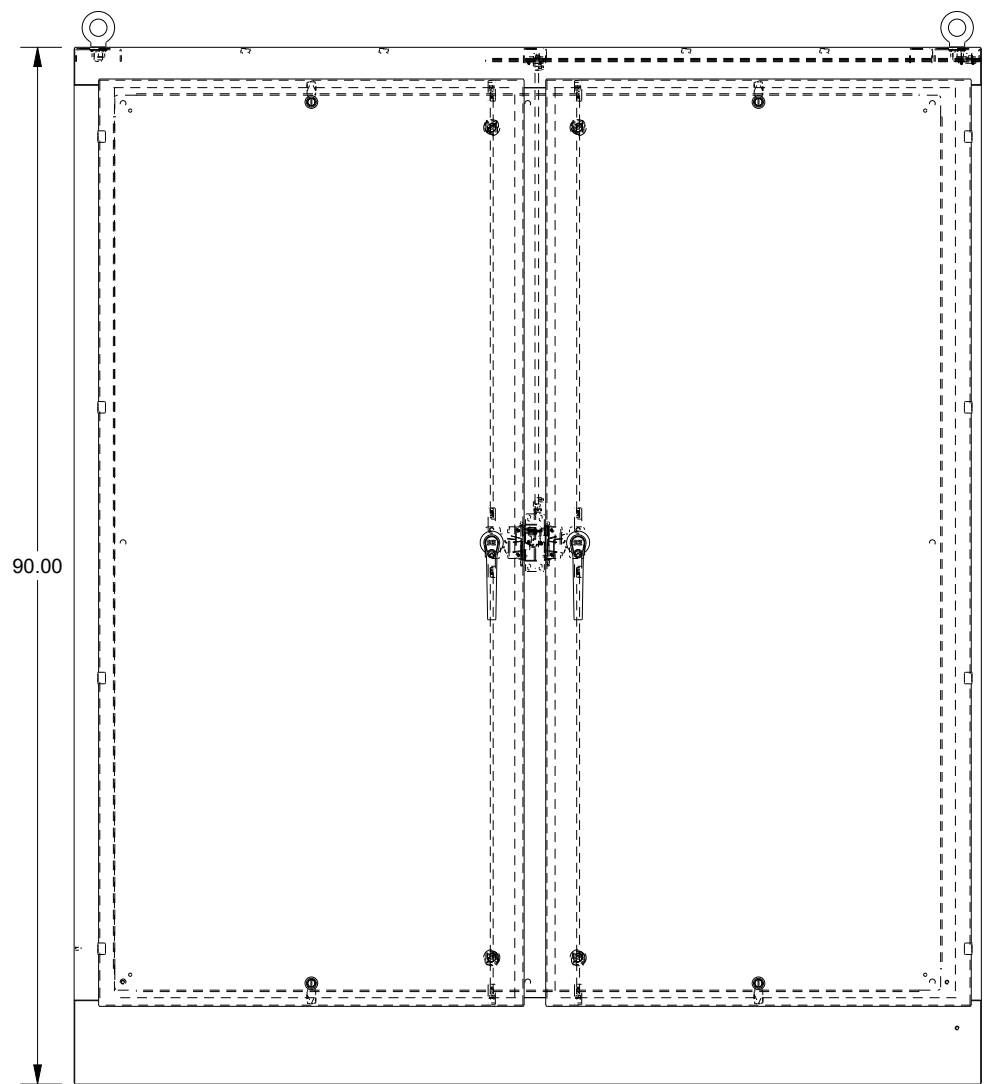


SAGINAW CONTROL & ENGINEERING

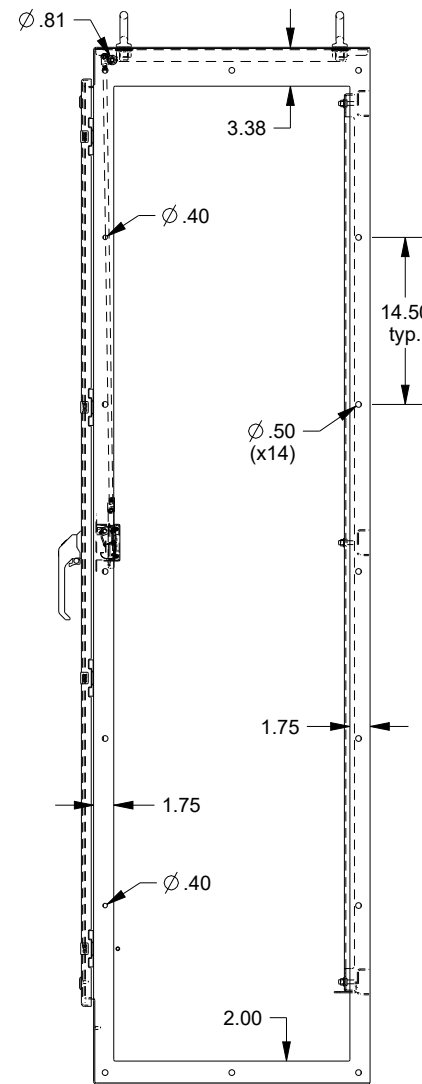
SCE-90XML2D24SS



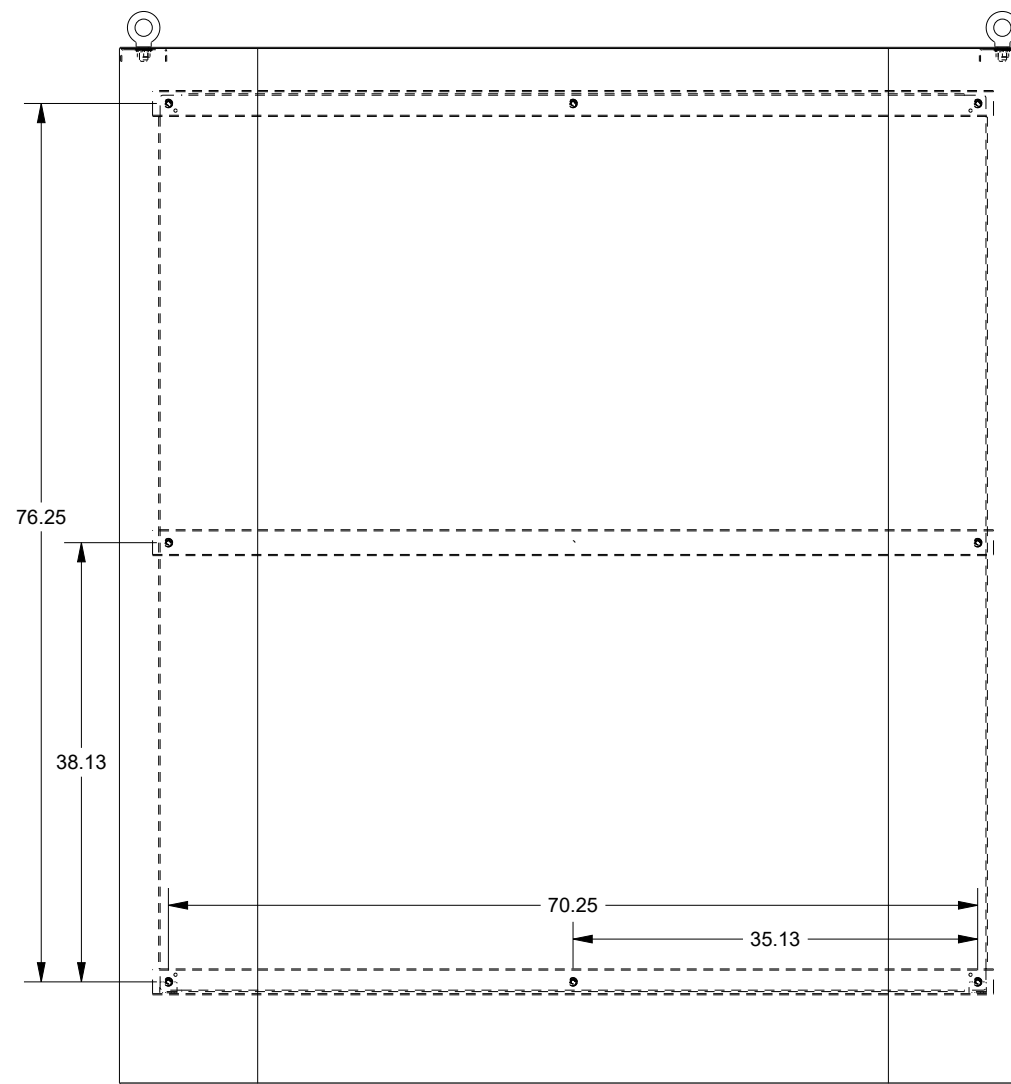
LEFT SIDE VIEW



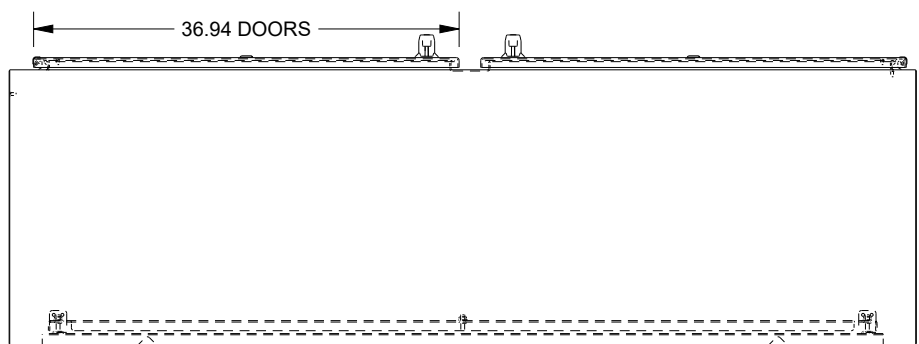
FRONT VIEW



RIGHT SIDE VIEW



EXTERNAL REAR VIEW



BOTTOM VIEW